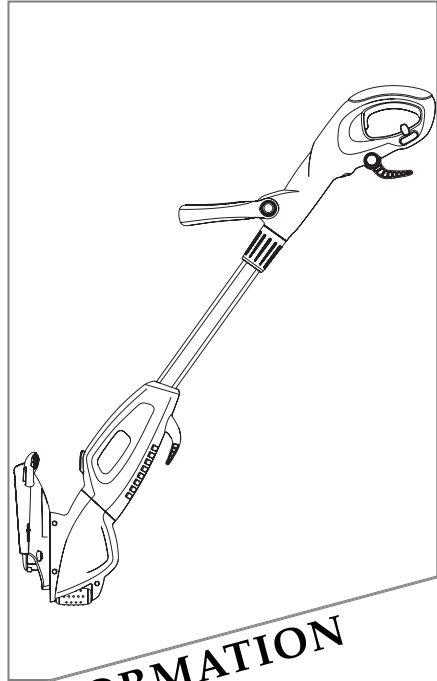
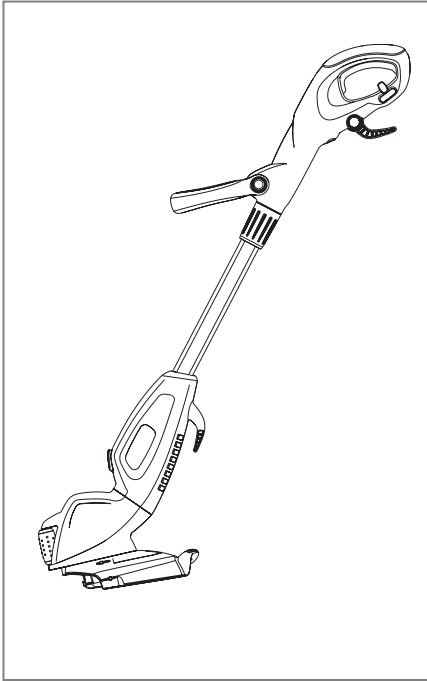


# Flymo

# Power Trim

 Electrolux



**IMPORTANT INFORMATION**

Read before use

& retain for future reference



WARNING

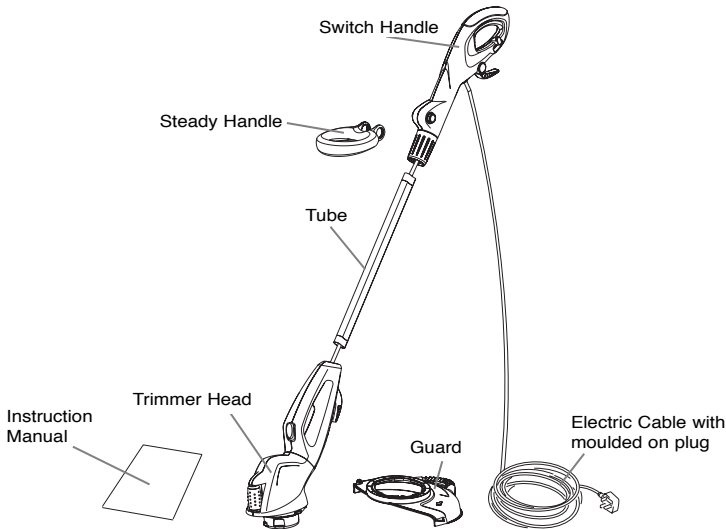
For all customer enquiries or for replacement parts, contact:-

 01325 300303

 [www.flymo.com](http://www.flymo.com)

 [eop.customer.services@electrolux.co.uk](mailto:eop.customer.services@electrolux.co.uk)

## Carton Contents



**IMPORTANT!** Please check the contents of the carton are correct **BEFORE** assembling your new Flymo product. **IF ANY PARTS ARE MISSING CONTACT:-**

Electrolux Outdoor Products Customer Service Department direct  
Telephone : 01325 300303, Fax : 01325 318193

## Safety



If not used properly this trimmer can be dangerous! This trimmer can cause serious injury to the operator and others, the warnings and safety instructions must be followed to ensure reasonable safety and efficiency in using this trimmer. The operator is responsible for following the warning and safety instructions in this manual and on the trimmer.

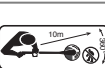
### Explanation of Symbols on the Power Trim



Warning



Read the user instructions carefully to make sure you understand all the controls and what they do.



Keep others, including children, pets and bystanders outside the 10 metre hazard zone. Stop the trimmer immediately if you are approached.



The use of eye protection is recommended to protect against objects thrown by the cutting line.



To avoid the possibility of electric shock, do not use in damp or wet conditions.



Switch off! Remove plug from mains before adjusting, cleaning or if cable is entangled or damaged.

**Warning:** The cutting line continues to rotate after the machine has been switched off.

### General

1. Never allow children or people unfamiliar with these instructions to use the trimmer. Local regulations may restrict the age of the operator.
2. Only use the trimmer in the manner and for the functions described in these instructions.
3. Never operate the trimmer when you are tired, ill or under the influence of alcohol, drugs or medicine.
4. The operator or user is responsible for accidents or hazards occurring to other people or their property.

### Electrical

1. The British Standards Institute recommend the use of a Residual Current Device (R.C.D.) with a tripping current of not more than 30mA. Even with a R.C.D. installed 100% safety cannot be guaranteed and safe working practice must be followed at all times. Check your R.C.D. every time you use it.
2. Before use, examine cable for damage. If there are signs of damage or ageing, it must be replaced by the manufacturers service agent or a similar qualified person to avoid hazard.

3. Do not use the trimmer if the electric cables are damaged or worn.
4. Immediately disconnect from the mains electricity supply if the cable is cut, or the insulation is damaged. Do not touch the electric cable until the electrical supply has been disconnected. Do not repair a cut or damaged cable. Replace it with a new one.
5. Your extension cable must be uncoiled, coiled cables can overheat and reduce the efficiency of your trimmer.
6. Keep the cable clear of the cutting area and obstacles at all times.
7. Do not pull cable around sharp objects.
8. Always switch off at the mains before disconnecting any plug, cable connector or extension cable.
9. Never pull on the cable to disconnect any of the plugs.
10. Switch off, remove plug from mains and examine electric supply cable for damage or ageing **before** winding cable for storage. Do not repair a damaged cable, replace it with a new one. Use only Flymo replacement cable.
11. Always wind cable carefully, avoiding kinking.
12. Use only on AC mains supply voltage shown on the product rating label.
13. Flymo trimmers are double insulated to EN60335. Under no circumstance should an earth be connected to any part of the trimmer.

#### Preparation

1. While using your product always wear substantial footwear and long trousers.
2. Before using the machine and after any impact, check for signs of wear or damage and repair as necessary.
3. Inspect the area to be cut before each use. Remove all objects such as stones, broken glass, nails, wire, string etc, which can be thrown or become entangled in the trimmer head.
4. Check that the cutting head is fitted correctly.

#### Use

**AVOID ACCIDENTAL STARTING. REMOVE PLUG FROM MAINS AND KEEP FEET AWAY FROM THE SWITCH LEVER WHEN:- CLEANING AROUND THE INSIDE OF THE SAFETY GUARD, REMOVING OR**

#### REFITTING SPOOL CAP, MANUALLY FEEDING OR REPLACING NYLON LINE.

1. Use the trimmer only in daylight or good artificial light.
2. Avoid operating your trimmer in wet grass, where feasible.
3. Take care in wet grass, you may lose your footing.
4. On slopes, be extra careful of your footing and wear non-slip footwear.
5. Do not walk backwards when trimming, you could trip. Walk never run.
6. Keep cutting head below waist level.
7. Switch off before pushing the trimmer over surfaces other than grass.
8. Never operate the trimmer with damaged guards or without guards in place.
9. Never fit metal cutting elements.
10. Keep hands and feet away from the cutting means at all times and especially when switching on the motor.
11. Never pick up or carry a trimmer by the cable.
12. Do not lean over the trimmer guard - objects may be thrown by the cutting line.
13. Remove the plug from the mains :
  - before leaving the trimmer unattended for any period;
  - before clearing a blockage;
  - before checking, cleaning or working on the appliance;
  - if you hit an object. Do not use your trimmer until you are sure that the entire trimmer is in a safe operating condition;
  - if the trimmer starts to vibrate abnormally. Check immediately. Excessive vibration can cause injury.

#### Maintenance and storage

1. Keep all nuts, bolts and screws tight to be sure the trimmer is in safe working condition.
2. Replace worn or damaged parts for safety.
3. Only use the replacement cutting line specified for this product.
4. Only use replacement parts and accessories recommended by Electrolux Outdoor Products.
5. To avoid the risk of injury keep fingers and hands clear of the line cutter on the leading edge of the guard.
6. Inspect and maintain the trimmer regularly. Any repairs must be carried out by an authorised repairer.

## Cables

#### IMPORTANT

Use only 1.00mm<sup>2</sup> size cable up to 40 metres length maximum.

#### Maximum rating:

1.00mm<sup>2</sup> size cable, 10 amps 250 volts AC.

**THE POWER TRIM IS SUPPLIED WITH AN ELECTRIC MAINS CABLE WIRED DIRECTLY INTO THE PRODUCT.**

1. Flymo Mains Cables and Extension Cables are available from your local Electrolux Outdoor Products Approved Service Centre.
2. Do not wire an extension cable directly to your product yourself. Please contact your local Electrolux Outdoor Products Approved Service Centre for further information on the connectors and kits available.
3. Only use extension cables specifically designed for outdoor use.

#### CONNECTORS

Flymo connectors are suitable for use with 2 core cable only. Under no circumstances should these connectors be used for earthed products.

All Flymo connectors and cables are of splashproof construction. They are not waterproof and must not be left outside permanently nor should they be submerged or immersed in water. Do not let cable lay or trail through pools of water or splashed with water from hose pipes.

#### MAINS PLUG REPLACEMENT

- If the plug supplied is cut off it should be destroyed. There is an electric shock hazard if a cut off plug is inserted into a 13 amp socket.

1. **No earth required.** Flymo products are double insulated to EN60335 and under no circumstances should an earth be connected to any part of the product.

2. **Ensure the mains voltage suits your product.**

3. **IMPORTANT!**

The wires in the mains lead are coloured in accordance with the following code:

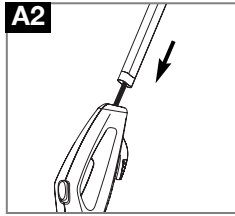
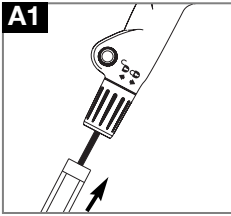
BLUE	-	NEUTRAL
BROWN	-	LIVE

The wire which is coloured BLUE must be connected to the Terminal which is marked with the letter 'N' or coloured BLACK. The wire which is coloured BROWN must be connected to the Terminal which is marked with the letter 'L' or coloured RED.

4. It is important that the outer sheath is clamped correctly into the 3-pin plug.
5. If in doubt consult your local Service Repairer or qualified electrician before the machine is used.
6. **A 5 Amp fuse must be fitted to the Mains Plug.**
7. The normal plug fuse and household fuse only protect the electrical equipment and are not a safeguard against electrocution.

**If your product is hard wired i.e. non-detachable mains electric cable, a conversion kit and extension cable is available from all Electrolux Outdoor Products Approved Service Centres which can be found in your local Yellow Pages.**

## Assembly Instructions

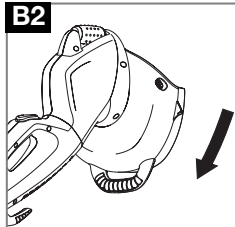
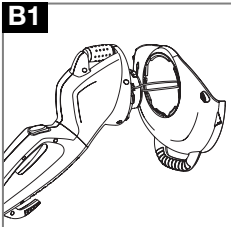


### Assembly of Switch Handle to Tube (A1)

- **Ensure that the internal cable is not twisted.**
- 1. Insert the tube into the switch handle.
- 2. Push until it clicks into position.
- **ENSURE THAT THE TUBE IS FULLY LOCATED BY ATTEMPTING TO REMOVE IT.**

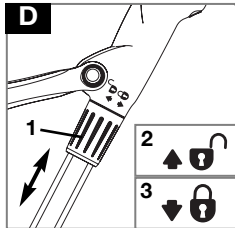
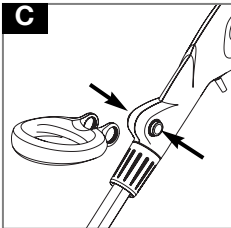
### Assembly of Trimmer Head to Tube (A2)

- **Ensure that the internal cable is not twisted.**
- 1. Insert the tube into the trimmer head.
- 2. Push until it clicks into position.
- **ENSURE THAT THE TUBE IS FULLY LOCATED BY ATTEMPTING TO REMOVE IT.**



### Safety Guard Assembly (B1) & (B2)

1. Locate the safety guard over the cutting head. Ensure the nylon line is fed through the hole in the safety guard as illustrated in **fig B1**.
2. Push into location and turn safety guard in the direction illustrated in **Fig B2**, until a click is heard and the safety guard is securely locked in position.
- **ENSURE THE SAFETY GUARD IS SECURELY IN PLACE BY ATTEMPTING TO TWIST GUARD.**

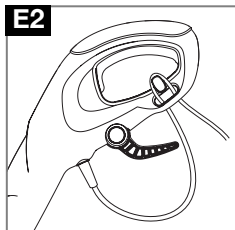
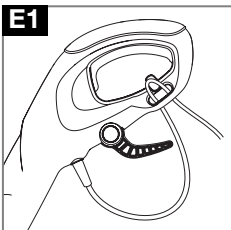


### Steady Handle Assembly (C)

1. Depress the two buttons on the sides of the switch handle.
2. Locate the steady handle over the buttons and release the buttons.
3. Adjust the steady handle to the most comfortable operating position by depressing the buttons and moving the handle.

### Height Adjustment (D)

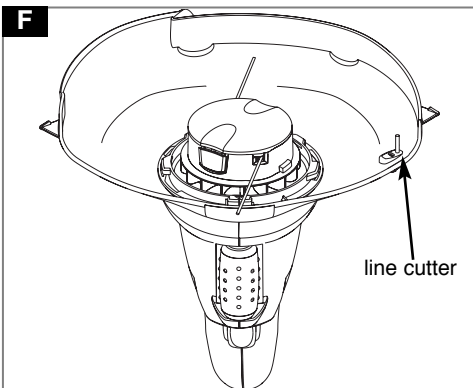
1. Turn height adjuster (D1) in the direction indicated to un-lock (D2).
2. Adjust the length of the tube to the most comfortable operating position.
3. Turn height adjuster in the opposite direction to lock (D3).
- **ENSURE THAT THE TUBE IS FULLY SECURED.**



### Cable Restraint (E1) & (E2)

1. Form loop in mains cable and push the loop through the slot as illustrated in picture (E1).
2. To secure, position loop over the hook and pull the cable back through the slot as illustrated in picture (E2).

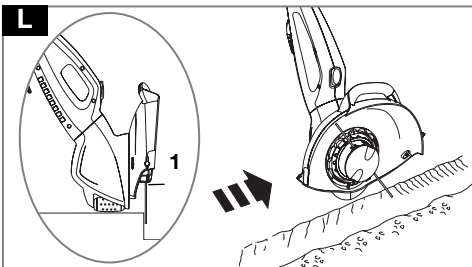
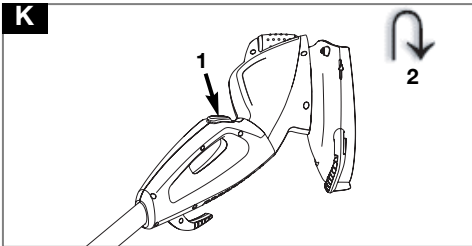
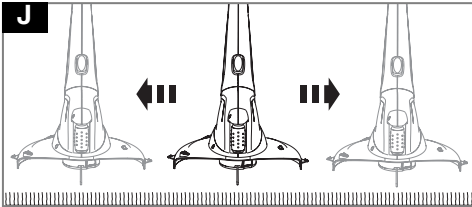
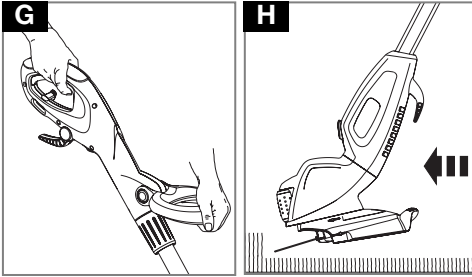
## Double Auto Feed System



### How the automatic line feed works (F)

1. When initially switching on the trimmer, a small length of line is fed out.
2. A 'clattering' noise will be heard when the two nylon lines hit the line cutter. **DO NOT BE ALARMED this is quite normal.** After approximately 5 seconds the line will be cut to the correct length and the noise will reduce as the motor reaches full speed.
- **Make sure the motor is up to full speed before trimming or edging.**
3. If the noise of the nylon line being cut cannot be heard, more line will need to be fed out.
4. To feed more line, it is first necessary to allow the motor to stop completely, then re-start, allowing the motor to reach full speed.
5. Repeat step 4. until you hear the lines hitting against the cutter. (Do not repeat this procedure more than 6 times)
6. If problems are experienced with the automatic line feed refer to Fault Finding Chart.

## How to trim and edge



- **WARNING**
- The use of eye protection is recommended.
- Do not lean over the trimmer whilst trimming or edging, objects may be thrown by the cutting line.
- Do not allow cutting head to rest on the ground.
- Do not overload your trimmer.
- Overloading can be avoided by making sure the motor speed does not drop unduly.
- **DISCONNECT FROM THE MAINS ELECTRICITY SUPPLY BEFORE ATTEMPTING ANY MAINTENANCE OR ADJUSTMENT.**
- **BEFORE USE**
- Make sure that both lines are fed out.
- Make sure motor is up to full speed before trimming or edging.

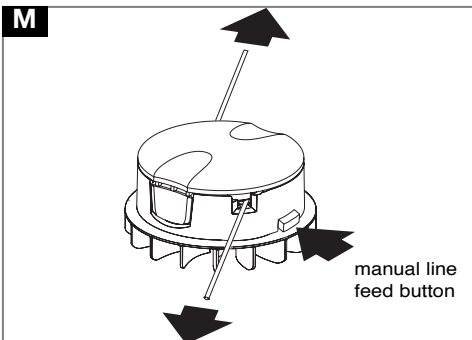
### How to trim

1. Hold as illustrated in **Fig G**.
  2. To start, squeeze the switch lever.
  3. Cut with nylon line at an angle using the tip. See **Fig H**.
  4. Swing trimmer in and out of the cutting area taking small cuts (**J**)
  5. Line is fed out automatically every time the trimmer head stops rotating and returns to operating speed.
- Extra line can be fed out manually as described in **Manual line feed**
6. To stop your trimmer release the switch lever.

### How to edge

1. To convert to edging mode, depress the locking button (**K1**) and twist head anti-clockwise (**K2**). An audible "click" will confirm that the head is locked. Ensure the button has returned to its original position.
2. Hold as illustrated in **Fig G**.
3. To start, squeeze the switch lever.
4. Rest the edger on the roller for extra stability and line up the edge of the lawn with the two indicators on the guard (**L1**). Edge in direction indicated in **Fig L**.
5. To return to trimming mode, depress the locking button and twist head clockwise. An audible "click" will confirm that the head is locked. Ensure the button has returned to its original position.

## Manual line feed



### To manually feed the nylon line (M)

1. If required line can be fed out manually.
2. To operate, press and release manual line feed button, whilst gently pulling on one of the lines until the line reaches the line cutter.
3. When the required amount of line is fed out, gently pull on the second line (there is no need to press the manual line feed button again).
4. If the line extends past the line cutter, too much line has been fed out.
5. If too much line is fed out, remove the spool cap and click spool anti-clockwise until the line is at the desired length.

## Cutting Head

### To remove spool cap

1. Press and hold in the two cap release latches. (N).
2. **Pull** cap away from the spoolholder. (N).

### When refitting the spool cap

1. Keep all areas of the cap and spoolholder clean. Failure to do so may prevent the cap being securely located in the spoolholder.
2. Replace the cap, **pressing firmly DOWN** towards the spoolholder to ensure cap is fully located.
3. Check that the cap is correctly fitted by trying to remove it without depressing the two latches.

### To replace nylon line

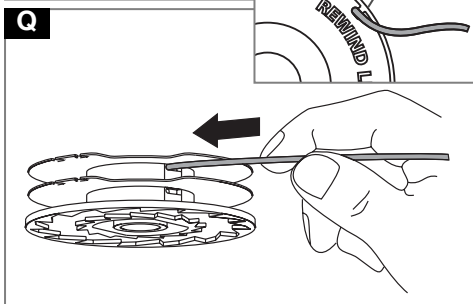
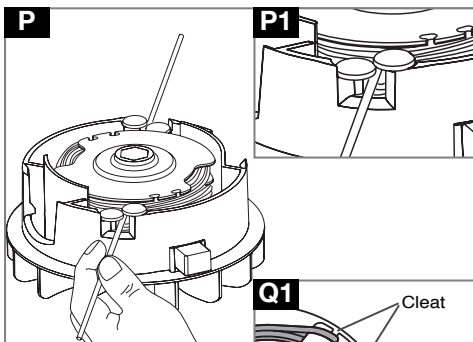
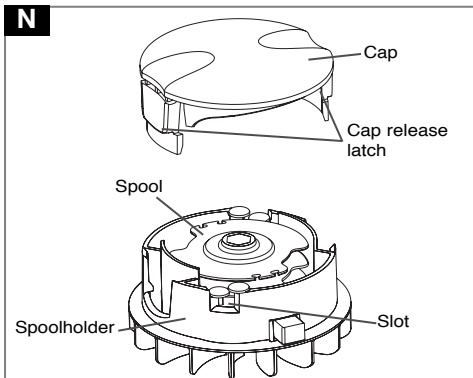
For your convenience it is recommended you buy spool and line complete. Nylon line only is also available. Both are available from Electrolux Outdoor Products stockists.

### To fit spool and line complete:

1. Remove the cap.
2. Remove old spool.
3. Place spool into spoolholder.
4. Release one line from cleat (Q1).
5. Secure line into slot (P1).
6. Repeat for second line.
- **Ensure spool is fully located by gently rotating it during fitment, whilst keeping the spoolholder steady.**
7. Refit the cap.

### To fit nylon line only:

- **Remember!** Your Flymo Trimmer is designed to use only nylon line with a **maximum diameter of 1.5mm**. Use only genuine Flymo nylon line.
1. **IMPORTANT - Always wind the line onto the upper section of the spool first.**  
Take approximately 5 metres of line. Insert 15mm of line into one of the holes in the upper section of the spool (Q) and wind line in the direction of the arrows on the top of the spool. Leave approximately 100mm of line unwound and place into cleat as illustrated in figure Q1. Repeat on lower section of spool.
  2. Care should be taken to ensure that the line is neatly coiled on the spool. Failure to do so will impair the efficiency of the automatic line feed.
  3. Then fit spool as described in 'To fit spool and line complete', section above.



## Maintenance

- **WARNING**

Disconnect from the mains electricity supply, before attempting any maintenance or adjustment. Cutting head continues to rotate after the trimmer has been switched off. Keep fingers and hands clear of the line cutter on leading edge of guard.

### Caring for your Power Trim

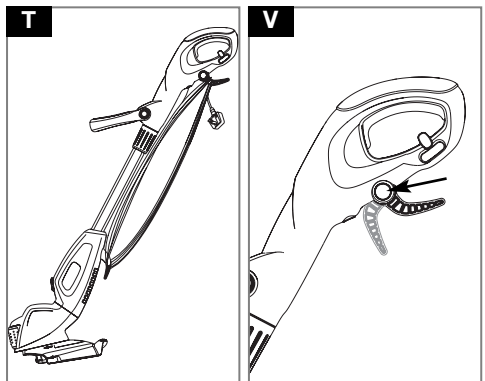
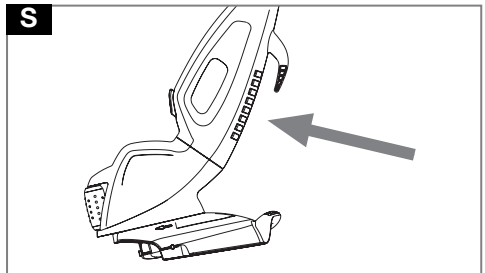
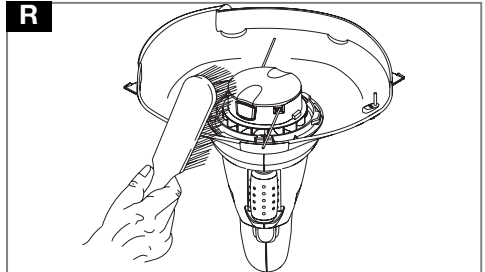
After you have finished using your Flymo Power Trim follow the procedure below:

**AVOID ACCIDENTAL STARTING. REMOVE PLUG FROM MAINS AND KEEP FEET AWAY FROM THE SWITCH LEVER WHEN: CLEANING AROUND THE INSIDE OF THE SAFETY GUARD, REMOVING OR REFITTING SPOOL CAP, MANUALLY FEEDING OR REPLACING NYLON LINE.**

1. Disconnect from the mains electricity supply.
  2. Never clean your trimmer with water, cleaning fluids, or solvents, just remove debris with a suitable tool, a soft brush or dry cloth.
  3. Using a soft brush, clean around the inside of the safety guard, the cutting head (**Fig R**) and the motor housing air vents. (**Fig S**)
  4. Inspect the trimmer carefully, especially the parts of the cutting head.
  5. If your trimmer is damaged in any way contact your local Electrolux Outdoor Products approved service centre.
- **Never use a damaged trimmer.**
6. Store in a cool, dry place and out of reach of children.

### Cable Storage

1. Your mains cable can be stored on the product as illustrated in **Fig T**.
2. Wind cable carefully to avoid kinking.
3. To release the cable press the button and the hook will drop down (**Fig V**).
4. Push cable hook fully back into position.



## Fault Finding Chart

**WARNING** Disconnect from the mains electricity supply before attempting any maintenance or adjustment.

FAULT	CHECK		ACTION
<b>LINE NOT FEEDING OR LINE TOO SHORT OR TRIMMER VIBRATES</b>	Is the automatic line feed working?	<b>No</b>	Manually feed out line. <b>SEE "MANUAL LINE FEED"</b>
	Is the line fed out and visible? Has line been removed from cleat?	<b>No</b>	Remove cap and spool, free line and re-fit spool and cap. <b>SEE "CUTTING HEAD"</b>
	Is the manual line feed working?	<b>No</b>	The line may be jammed on the spool. Rewind line to remove crossed loops. Check that line is in correct section of spool.
<b>CONTINUOUS CLATTERING NOISE</b>	Has the motor reached full speed before use?	<b>No</b>	Allow the motor to reach full speed before use.
	Has too much line been fed out?	<b>Yes</b>	<b>SEE "MANUAL LINE FEED"</b>
	Is the line cutter missing from the safety guard?	<b>Yes</b>	<b>Contact your local approved Service Centre or Electrolux Outdoor Products Customer Service.</b>
<b>LINE SNAPS CONTINUOUSLY</b>	Are you using the trimmer correctly?	<b>?</b>	Only use tip of nylon line to trim. <b>SEE "How to trim and edge"</b>
	Is the line jamming on the spool?	<b>Yes</b>	Rewind the line on the spool, if symptoms still persist, change spool and line.
<b>IF NONE OF THE ABOVE OR IF FAULT PERSISTS</b>	<b>Contact Electrolux Outdoor Products Customer Service Telephone : 01325 300303</b>		

## Environmental Information

Electrolux Outdoor Products are manufactured under an Environmental Management System (ISO 14001) using, where practical, components manufactured in the most environmentally responsible manner, according to company procedures, and with the potential for recycling at the end of the products' life.

- Packaging is recyclable and plastic components have been labelled (where practical) for categorised recycling.
- Awareness of the environment must be considered when disposing of 'end-of-life' product.
- If necessary, contact your local authority for disposal information.

## Environmental Information



The symbol on the product or on its packaging indicates that this product may not be treated as household waste. Instead it shall be handed over to the applicable collection point for the recycling of electrical and electronic equipment. By ensuring this product is disposed of correctly, you will help prevent potential negative consequences for the environment and human health, which could otherwise be caused by inappropriate waste handling of this product.

For more detailed information about recycling of this product, please contact your local council office, your household waste disposal service or the shop where you purchased the product.

## Guarantee & Guarantee Policy

If any part is found to be defective due to faulty manufacture within the guarantee period, Electrolux Outdoor Products, through its Authorised Service Repairers will effect the repair or replacement to the customer free of charge providing:

- (a) The fault is reported directly to the Authorised Repairer.
  - (b) Proof of purchase is provided.
  - (c) The fault is not caused by misuse, neglect or faulty adjustment by the user.
  - (d) The failure has not occurred through fair wear and tear.
  - (e) The machine has not been serviced or repaired, taken apart or tampered with by any person not authorised by Electrolux Outdoor Products.
  - (f) The machine has not been used for hire.
  - (g) The machine is owned by the original purchaser.
  - (h) The machine has not been used commercially.
- \* This guarantee is additional to, and in no way diminishes the customers statutory rights.

Failures due to the following are not covered, therefore it is important that you read the instructions contained in this Operator's Manual and understand how to operate and maintain your machine:

### Failures not covered by guarantee

- \* Replacing Nylon Line.
- \* Failures as a result of not reporting an initial fault.
- \* Failures as a result of sudden impact.
- \* Failures as a result of not using the product in accordance with the instructions and recommendations contained in this Operator's Manual.
- \* Machines used for hire are not covered by this guarantee.
- \* The following items listed are considered as wearing parts and their life is dependent on regular maintenance and are, therefore not normally subject to a valid warranty claim: Nylon Line, Spool and Line, Electric Mains Cable
- \* **Caution!** Electrolux Outdoor Products does not accept liability under the warranty for defects caused in whole or part, directly or indirectly by the fitting of replacement parts or additional parts that are not either manufactured or approved by Electrolux Outdoor Products, or by the machine having been modified in any way.



## EC Declaration of Conformity

<p>I, the undersigned M. Bowden of Electrolux Outdoor Products, Aycliffe Industrial Park, <b>NEWTON AYCLIFFE</b>, Co. Durham. DL5 6UP. Certify that the product:-                  Category..... <b>Electric Lawn Trimmer</b>                  Make..... <b>Electrolux Outdoor Products</b>                  Conforms to the specifications of Directive 2000/14/EEC</p>	<p>I, the undersigned M. Bowden of Electrolux Outdoor Products, Aycliffe Industrial Park, <b>NEWTON AYCLIFFE</b>, Co. Durham. DL5 6UP. Certify that a sample of the above product has been tested using directive 81/1051/EEC as a guide. The maximum A-weighted sound pressure <b>level</b> recorded at operator position under free field semi anechoic chamber conditions was :-</p>	<p>I, the undersigned M. Bowden of Electrolux Outdoor Products, Aycliffe Industrial Park, <b>NEWTON AYCLIFFE</b>, Co. Durham. DL5 6UP. Certify that a sample of the above product has been tested using ISO 5349 as a guide. The maximum weighted root mean square <b>value</b> of vibration recorded at operator's hand position was:-</p>																								
<p>Type of Cutting Device..... <b>Cutting Line</b>                  Identification of Series..... <b>See Product Rating Label</b>                  Conformity Assessment Procedure..... <b>ANNEX VI</b>                  Notified Body..... <b>I.T.S., Cleeve Road, Leatherhead, Surrey. KT22 7SB England</b>                  Other Directives:-..... <b>98/37/EEC, 89/336/EEC, 73/23/EEC</b>                  &amp; applicable standards:- <b>EN786, IEC60335-1, IEC60335-2-91, EN61000-3-2, EN61000-3-3, EN55014-1, EN55014-2</b></p>	<table style="width: 100%; border-collapse: collapse;"> <tr> <td>Type.....</td> <td><b>SET250</b></td> <td><b>SET300</b></td> </tr> <tr> <td>Width of Cut.....</td> <td><b>25 cm</b></td> <td><b>30 cm</b></td> </tr> <tr> <td>Speed of Rotation of Cutting Device.....</td> <td><b>10500 RPM</b></td> <td><b>10300 RPM</b></td> </tr> <tr> <td>Guaranteed sound power level.....</td> <td><b>93 dB (A)</b></td> <td><b>96 dB(A)</b></td> </tr> <tr> <td>Measured Sound Power Level.....</td> <td><b>91 dB (A)</b></td> <td><b>94 dB (A)</b></td> </tr> <tr> <td>Level.....</td> <td><b>79.5 dB (A)</b></td> <td><b>80.4 dB (A)</b></td> </tr> <tr> <td>Value.....</td> <td><b>6.79 m/s<sup>2</sup></b></td> <td><b>6.38 m/s<sup>2</sup></b></td> </tr> <tr> <td>Weight.....</td> <td><b>3.26 kg</b></td> <td><b>3.45 kg</b></td> </tr> </table>	Type.....	<b>SET250</b>	<b>SET300</b>	Width of Cut.....	<b>25 cm</b>	<b>30 cm</b>	Speed of Rotation of Cutting Device.....	<b>10500 RPM</b>	<b>10300 RPM</b>	Guaranteed sound power level.....	<b>93 dB (A)</b>	<b>96 dB(A)</b>	Measured Sound Power Level.....	<b>91 dB (A)</b>	<b>94 dB (A)</b>	Level.....	<b>79.5 dB (A)</b>	<b>80.4 dB (A)</b>	Value.....	<b>6.79 m/s<sup>2</sup></b>	<b>6.38 m/s<sup>2</sup></b>	Weight.....	<b>3.26 kg</b>	<b>3.45 kg</b>	
Type.....	<b>SET250</b>	<b>SET300</b>																								
Width of Cut.....	<b>25 cm</b>	<b>30 cm</b>																								
Speed of Rotation of Cutting Device.....	<b>10500 RPM</b>	<b>10300 RPM</b>																								
Guaranteed sound power level.....	<b>93 dB (A)</b>	<b>96 dB(A)</b>																								
Measured Sound Power Level.....	<b>91 dB (A)</b>	<b>94 dB (A)</b>																								
Level.....	<b>79.5 dB (A)</b>	<b>80.4 dB (A)</b>																								
Value.....	<b>6.79 m/s<sup>2</sup></b>	<b>6.38 m/s<sup>2</sup></b>																								
Weight.....	<b>3.26 kg</b>	<b>3.45 kg</b>																								



Newton Aycliffe, 17/09/2004  
 M. Bowden,  
 Research & Development Director

Electrolux Outdoor Products  
 Aycliffe Industrial Park  
 NEWTON AYCLIFFE  
 Co. Durham DL5 6UP  
**ENGLAND**

**Telephone - (00) 44 1325 300303 Fax - (00) 44 1325 310339**

Our policy of continuous improvement means that the specification of products may be altered from time to time without prior notice. Electrolux Outdoor Products manufacture products for a number of well known brands under various registered patents, designs and trademarks in several countries.

© Electrolux Outdoor Products Ltd. Registered Office, Electrolux Works, Oakley Road, Luton LU4 9QQ  
 Registered number 974979 England



**The Electrolux Group. The world's No. 1 choice.**

The Electrolux Group is the world's largest producer of powered appliances for kitchen, cleaning and outdoor use. More than 55 million Electrolux Group products (such as refrigerators, cookers, washing machines, vacuum cleaners, chain saws and lawn mowers) are sold each year to a value of approx. USD 14 billion in more than 150 countries around the world.

**5119675-01**

